



PROJECT		REF		REV	ITEM CODE	
LOCATION		DATE			PAGE	

SANITARY WARE SPECIFICATION SHEET

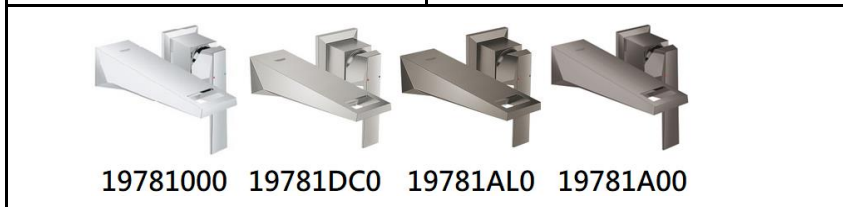
Item Descriptions	GROHE (Germany) "Allure Brilliant" Wall mounted two-hole chrome plated basin mixer 1/2" S-Size; nominated flow rate 4.6 L/min in WELS Grade 1 ; Registration No. TM 18-0052
Dimensions	L156 x W161 x H50 mm
Model	19781000 (Basin mixer) 23200000 (Concealed body)
Finish	Chrome Plated
Country of origin	Germany
Manufacturer	GROHE Limited
Supplier	Acme Sanitary Ware Co. Ltd Mr. Eric Wong/ Mr. Don Yuen
Contact Tel/Fax	(852) 2388-7171 / (852) 2710-8012
E-mail	acme@acmesanitary.com.hk
Website	www.acmesanitary.com.hk

Illustration/ Drawing

Colour options:

● 000 I StarLight Chrome	● GL01 Cool Sunrise
● DC0 I SuperSteel	● GN01 Brushed Cool Sunrise
● DA01 Warm Sunset	● DL01 Brushed Warm Sunset
● A00 I Hard Graphite	● BE01 Polished Nickel
● AL01 Brushed Hard Graphite	● EN01 Brushed Nickel

<p>"Allure Brilliant" 2-hole basin mixer S-Size</p> <ul style="list-style-type: none"> · wall mounted · without concealed body · set for final installation for 23 200 000 · GROHE StarLight chrome finish · GROHE EcoJoy 5.0 l/min. flow limiter · spout with integrated mousseur · centre distance 110 mm · projection 161 mm 	<p>Single-lever mixer 1/2", concealed body</p> <ul style="list-style-type: none"> · for 2 hole basin mixer · wall installation · without finishing trim set · GROHE SilkMove 35 mm ceramic cartridge · adjustable flow rate limiter · installation depth 45 to 75 mm · DR-brass · installation device
--	--



Note: [Allure Brilliant | Product Video](https://www.youtube.com/watch?v=85P78j7RRsg) <https://www.youtube.com/watch?v=85P78j7RRsg>

* All information of the above is for the reference only. No prior notice is made if any changes.





PROJECT		REF		REV	ITEM CODE	
LOCATION		DATE			PAGE	

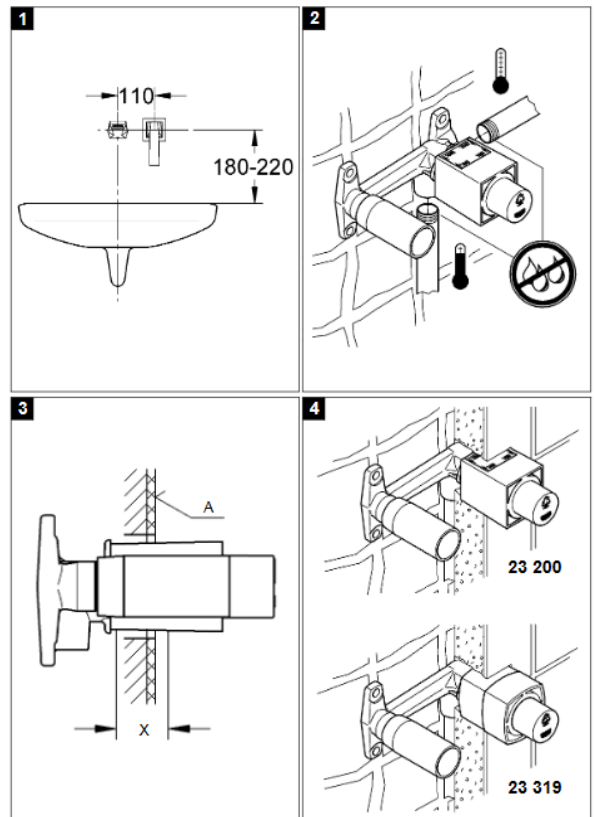
SANITARY WARE SPECIFICATION SHEET

GROHE ALLURE BRILLIANT

LIKE A DIAMOND

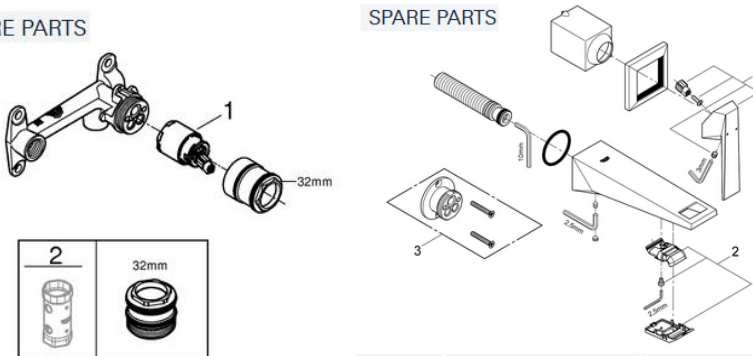
With its crisp planes, intriguing angles and cut-out details, Allure Brilliant illustrates the absolute precision that can only be achieved through years of experience and an unflinching passion for innovation. Complex without being complicated, faceted faucets add a new dimension to bathroom design and a new dimension to water. With its gem-like quality and structured shape, Allure Brilliant exudes architectural appeal.

Our designers and engineers have taken on the role of lapidaries, refining and polishing with utmost care to create a collection of intriguing designs, which will challenge your perception of bathroom fittings.



SPARE PARTS

SPARE PARTS



Pos.-nr.	Prod. description	Order-nr.	Pos.-nr.	Prod. description	Order-nr.
1	Cartridge	46374000	1	Lever	46797000
2	Socket spanner	19332000*	2	Race	46794000
			3	Extension	46627000*

* Optional accessories

* Optional accessories

Note:

* All information of the above is for the reference only. No prior notice is made if any changes.

註冊號碼 (Registration No.): TM 18-0052




自願參與用水效益標籤計劃 - 水龍頭 Voluntary Water Efficiency Labelling Scheme - Water Taps



茲證明
This is to certify that

將下列水龍頭在本計劃內註冊：
has registered the following water tap under this scheme :

- 牌子 / Brand : GROHE
- 型號 / Model : 23200000 + 19781000
- 種類 / Type : Mixing
- 原產地 / Country or Region Origin : Germany

在用水效益標籤上展示的標誌 <i>Symbolic Presentation on the Water Efficiency Label</i>	: 	滴水點 <i>Water droplet(s)</i>
用水效益級別 <i>Water Efficiency Grade</i>	: 1	
耗水量 <i>Water Consumption</i>	: 4.6	公升/分鐘 <i>litres/minute</i>

簽發日期: 27 February 2018
Date of Issue:

 水務署
Water Supplies Department



水務署署長(周世威代行)
for Director of Water Supplies



水務署

Water Supplies Department

香港灣仔告士打道七號入境事務大樓

Immigration Tower, 7 Gloucester Road, Hong Kong



55

圖文傳真
Facsimile

2824 0578

WSD 3321/17 Pt.1 T/J(1221)


16 October 2017



Approval of "GROHE" Basin Mixer

Your letter ref. WRC/1475 dated 5 September 2017 refers

Having considered the test report ref. J21556A issued on 27 July 2017 by Nutek Systems (HK) Ltd., this Authority accepts that the fitting described below complies with, and its use when correctly installed does not contravene, the Waterworks Ordinance and Regulations.

Name of Manufacturer: Grohe AG
Country of Origin: Germany
Brand: Grohe
Details of Fitting: 1/2" 2-hole wall mounted basin mixer with concealed body
Model: 23200000 + 19781000
Body Markings: 
Expiry Date: 15 June 2022

This Authority hereby permits the use of the above fitting in fresh water plumbing systems subject to full adherence to Waterworks installation requirements. In particular, you are required to draw your customers' attention to the following requirement-

"The cold water supply to the fitting shall be drawn from the same source that supplies the hot water apparatus so as to provide a balanced pressure and to obviate the risk of scalding in the event of a restriction or failure in the water supply."

A condition of this acceptance is that the fitting to be installed shall be replicas of the sample as certified by the testing agent mentioned above and without modifications. This acceptance may be withdrawn at any time if the standard of the fitting installed fails to meet that of the approved sample or if the fitting is found to be unsuitable for use in fresh water plumbing systems.

This acceptance is only applicable to the main body of the fitting, unless other specified.

For the use of the fitting in any project, the Acceptance Reference Number at the bottom of this letter must be quoted as a means of identification of acceptance of the fitting by this Authority.

Should you have any enquiries, please contact our Engineer Mr. Terry KUNG at tel. no. 2294 2656.

Yours faithfully,



(CHAN Chung Kun)
for Water Authority

c.c. WSD 3321/1/82] - without catalogue
 ME/MC] - with soft copy only